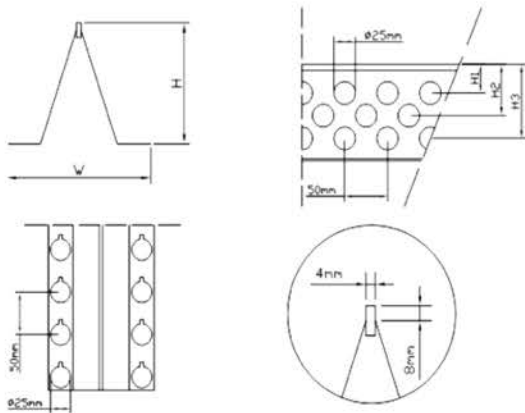


C85 – CombiForm Screed Rail



- Minimum slab depth:
85 + 1,5 x max stone diameter = mm
(i.e. 85 + 1,5 x 16 = 109 mm => minimum 109 mm slab depth))
Recommended max slab depth: 120 mm
- Material: Steel 1 mm thick & PE plastic strip
- Crack allocation control
- Easy and accurate levelling
- Static load capacity 300 kg (support c-c 1100 mm)
- Temperature range -30°C - +80°C
- True Joint – Dowel bar holder
- Form system

Art.no	H(mm)	W(mm)	H1(mm)	H2(mm)	H3(mm)	Length(mm)	Weight/rail (kg)
23C8535	85	115	31	49	67	3500	4,5
23C8522	85	115	31	49	67	2200	2,9

Recommended accessories

- Locking clips for reinforcing and assuring height of the profile (included in std 35 m box)
- Adjustment screws for easy and quick levelling
- Ground plate to ensure stable support
- Top Extender, 30 mm, for extra thick concrete layer &/or design.
- Adjustment tool for easy levelling

