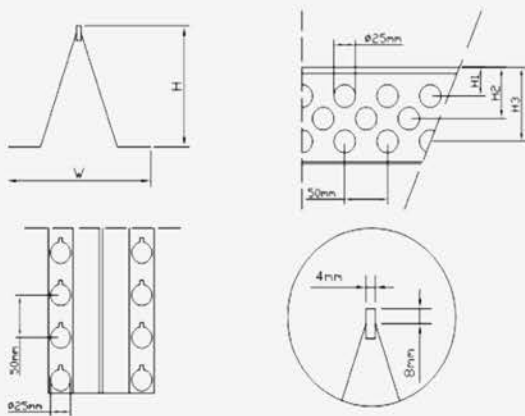


C25 – CombiForm Screed Rail



- Minimum slab depth:
 $25 + 1,5 \times \text{max stone diameter} = \dots\dots\dots \text{mm}$
 (i.e. $25 + 1,5 \times 10 = 40 \text{ mm} \Rightarrow$ minimum 40 mm slab depth))
 Recommended max slab depth: 60 mm

- Material: Steel 1 mm thick & PE plastic strip
- Crack allocation control
- Easy and accurate levelling
- Static load capacity 100 kg (support c-c 600 mm)
- Temperature range -30°C - +80°C



Art.no	H(mm)	W(mm)	H1(mm)	H2(mm)	H3(mm)	Length(mm)	Weight/rail (kg)
23C2535	25	80	-	--	--	3500	2,8
23C2522	25	80	-	--	--	2200	1,8

Recommended accessories

- Adjustment screws for easy and quick alignment
- Adjustment tool for easy levelling
- Levelling tool to measure and assure the levelling



CombiForm AB
 Pappersbruksallén 2 • SE-702 15 Örebro • Sweden
 Tel: +46 19 19 85 80 • Fax: +46 19 32 03 20
 E-mail: info@combiform.com
 Internet: www.combiform.com

IMPORTANT! Read the manual before using CombiForm system. CombiForm system is no load supporting construction element. CombiForm reserves the right to change products and specifications without prior notice.